



FAST AND RELIABLE

EV CHARGER INSTALLATION MANUAL

7.2KW | V1.0



FAST AND RELIABLE
A great addition to any smart home

The EV Charger is a new member of the GivEnergy family. Compatible with most plug-in electric cars, the EV charger is a great addition to your smart home system and GivEnergy ecosystem. Its compact and waterproof design allows for installation in tight spaces both indoors and outdoors. Integrated WiFi allows for easy control of your vehicle's charge via the GivEnergy Monitoring Portal or App.

Specifications

Dimensions
288H x 112D x 260W (mm)

Weight
4.5 Kg

AC Input Rating
230 V

AC Output Rating
7 kW / 32 A

Connector type
IEC 62196-2 (Type 2)

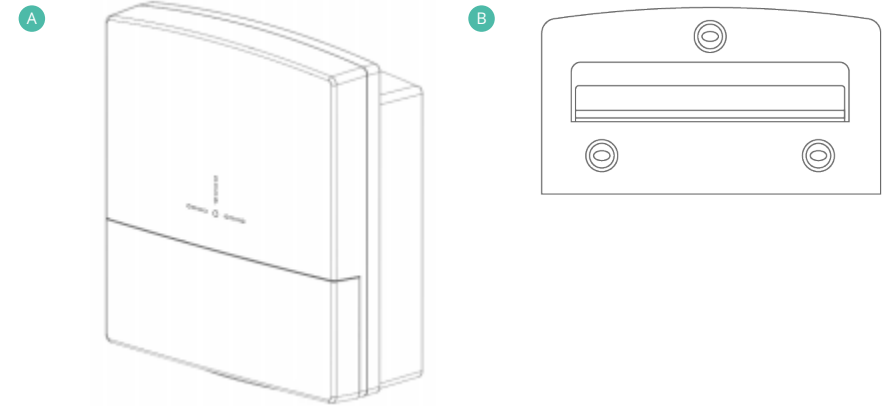
Warranty
12 months

Operating temperature
-30°C to 55°C

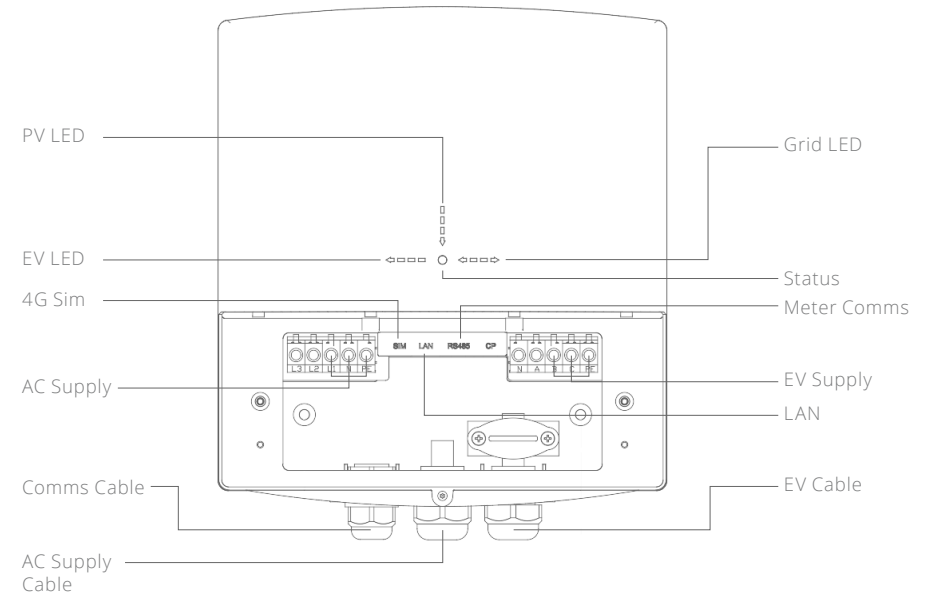
Charging cable length
5m

Connectivity
LAN (RJ-45), WiFi and 4G

Item	Item Name	Qty
A	EV Charger	1
B	Mounting Bracket	1



Components



Introduction

All information contained in this booklet refers to the installation and maintenance of GivEnergy's EV Charger. Please retain this manual for future reference.

Legal Disclaimer: This document is the property of GivEnergy, reproduction is prohibited.

Installation Requirements

Installation of the GivEnergy EV Charger must be carried out by a **qualified electrician** and in accordance with the IEE Wiring Regulations.

Unit Information

The EV Charger is used to supply power from a source of electricity to electric vehicles. The unit allows for charging from home, commercially, or the workplace. To recharge an EV, an EV charger's connector is plugged into the electric vehicle inlet via a charging cable.

Storing the EV Charger

The unit must be stored in its original packaging at temperatures between -40°C - 70°C. Do not stack more than 4 units on top of each other.

Packaging Contents

When unpacking, please check the following:

- There are no missing accessories from the packaging list
- The model and specification of the EV Charger's nameplate match the order specifications

If any damaged or missing parts are found, please contact GivEnergy on email info@en-ga.com immediately. Returns must be provided in the original or equivalent packaging. The cardboard packaging is recyclable.

Safety Instructions

Extra care and attention must be taken when installing and maintaining any GivEnergy equipment. The system is capable of retaining voltage, even when disconnected

- If you suspect something is wrong with the charger, contact GivEnergy on **01377 252 874** or email support@givenergy.co.uk.
- If any damaged or missing parts are found, please contact GivEnergy on **01377 252 874** or email support@givenergy.co.uk immediately. Returns must be provided in the original or equivalent packaging. The cardboard packaging is recyclable.

Installation Instructions

- Ensure the charger is always fixed to the wall using the mounting bracket
- Externally mounted chargers must always be wall mounted above the frost-line or a minimum of 50mm
- The PE terminal of the EV Charger must be grounded securely
- Ensure all components are attached securely



Do not install in direct sunlight or near water sources



Do not use the charger if there are any deformities, such as bulging or leakages



Do not puncture the charger



Do not throw the charger or use forceful impact



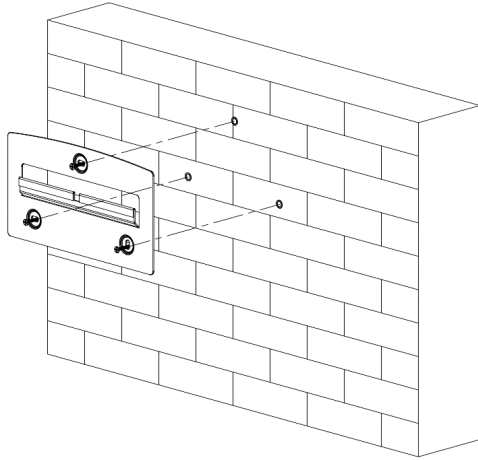
Do not attempt to repair the charger yourself (please call a qualified electrician)



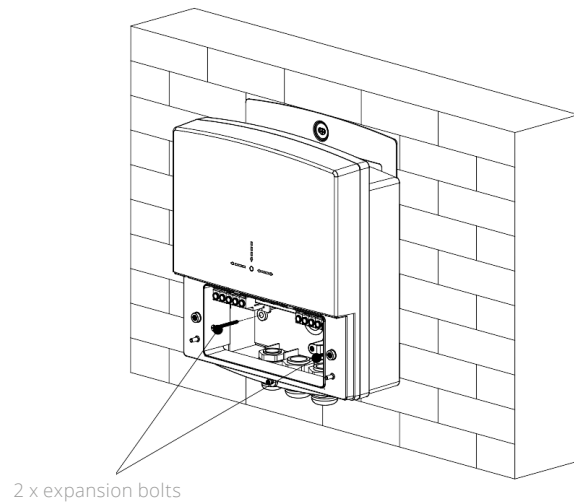
The charger must be installed vertically, never install horizontally, and avoid tilting the unit

STEP-BY-STEP INSTALLATION

1. Place the wall mounting bracket horizontally onto the wall and mark the position of the bracket holes. Drill 3 holes at the marked positions, at least 75mm deep. Fix the mounting bracket to the wall using the expansion bolts.

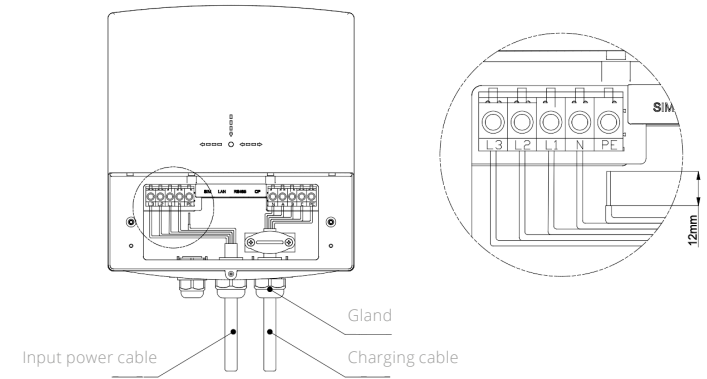


2. Mount the charger onto the mounting bracket. Drill 2 holes at the marked positions, at least 75mm deep. Secure the charger to the wall using the remaining 2 expansion bolts.

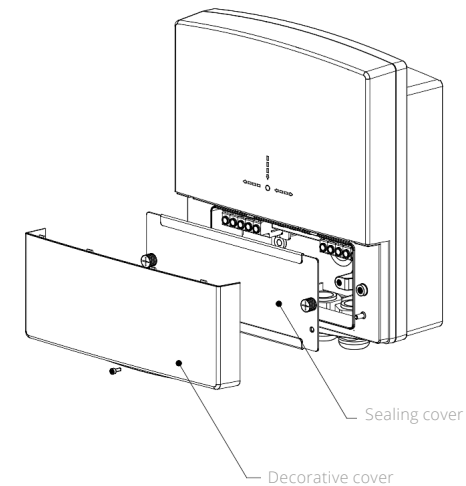


3. Pass the power cable through the rubber grommet. Remove the 12mm insulation layer on the wire. Insert the wire into the corresponding terminal as shown in the diagram below. Tighten the screws to ensure there is a stable connection.

Please note: It is recommended to install a miniature circuit breaker on the input cable



4. Fix the sealing cover to the charger with the removed screws. Attach the outer cover to the charger, ensuring that it snaps into place.



Status Indicators

Turn on the EV charger, the display will light up. The LED indicators on the display reflect the status of the charger:

Green	Charging
Green, flashing	Ready
Yellow	Communication issue
Blue	Connected to WiFi
Blue, flashing	Not connected to WiFi
Red	Fault

Charging

Ensure the vehicle is turned off and that the EV charger is switched on. Plug the charging cable into the charging socket on the electric vehicle. Charging can be started by swiping the RFID card across the RFID reader on the charger unit, or via the GivEnergy App.

The EV Charger will automatically stop when the electric vehicle is fully charged.

Stop Charging

To stop charging the electric vehicle, swipe the RFID card across the RFID reader on the charger unit while it is charging. The process can also be stopped by pressing 'Stop Charging' on the GivEnergy App.

Remove the charging cable from the charging socket of the electric vehicle and replace the cable back onto the unit.

Purpose

GivEnergy is the main supplier and manufacturer of the product. GivEnergy warrants that your product is (a) of acceptable quality and (b) does not have any latent defects.

- ▶ If you suspect something is wrong with the charger, contact GivEnergy on email info@en-ga.com

- ▶ If any damaged or missing parts are found, please contact GivEnergy on email info@en-ga.com immediately. Returns must be provided in the original or equivalent packaging. The cardboard packaging is recyclable.

Products Covered



EV Charger
12 months

